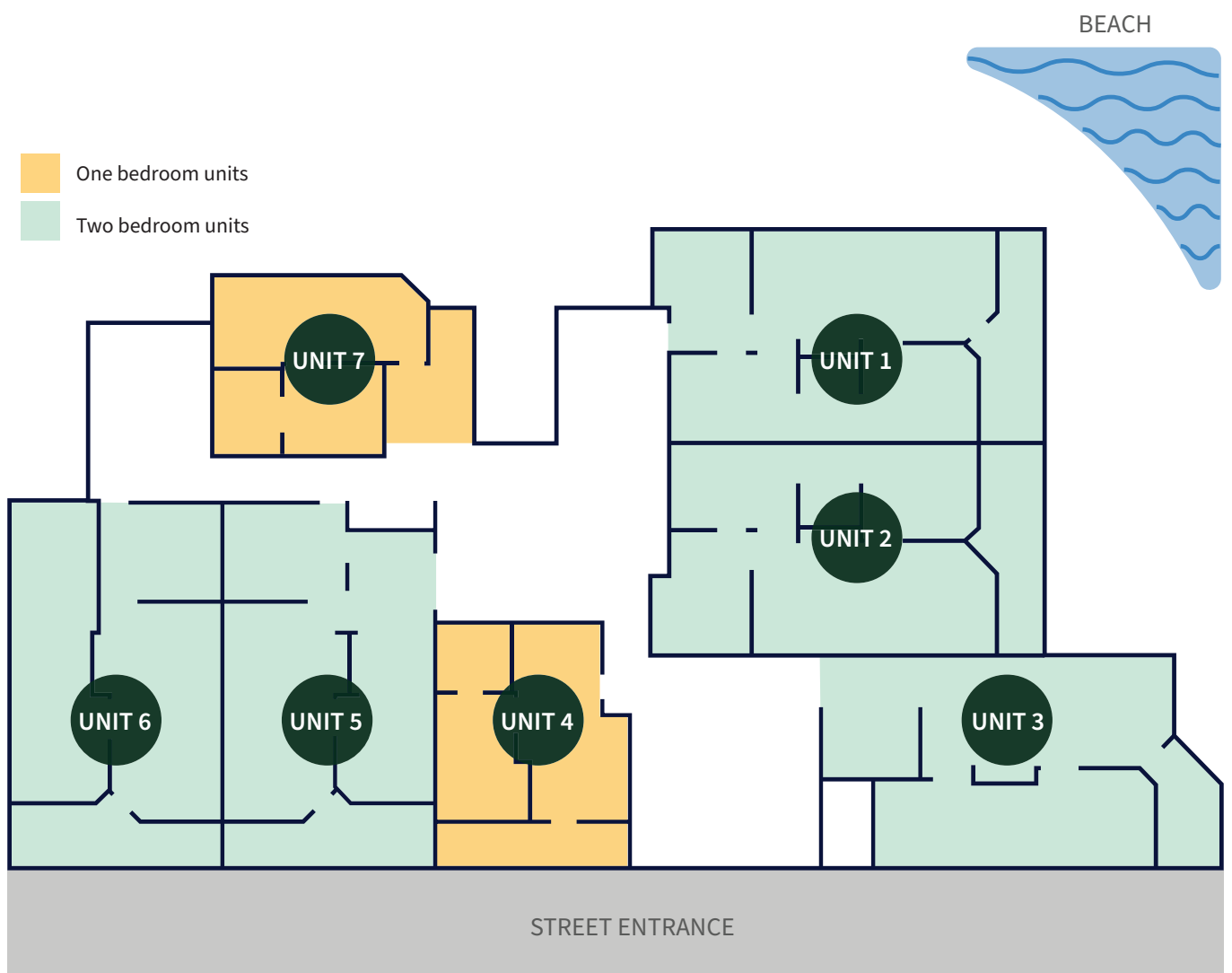


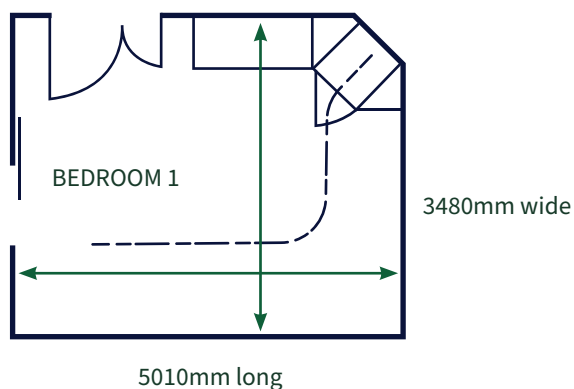
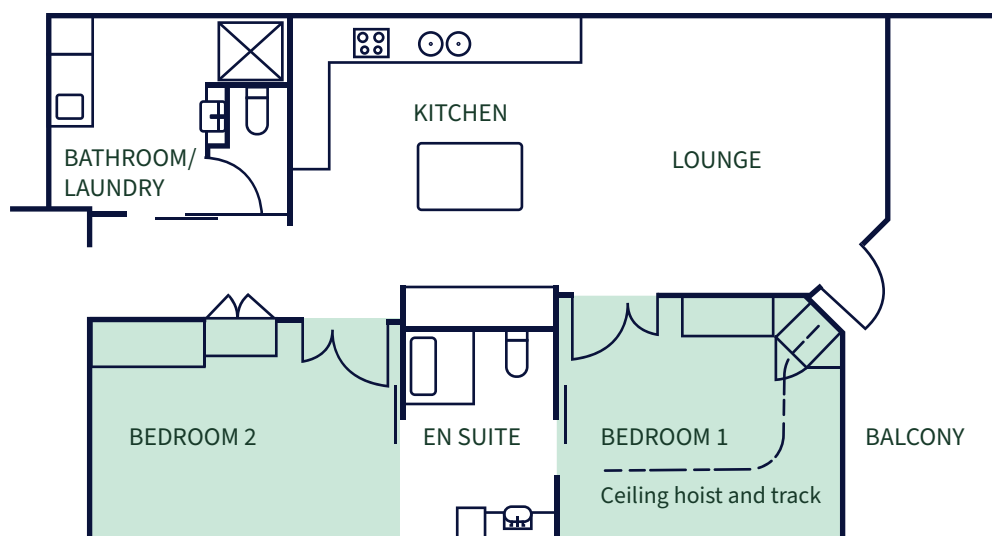
Unit specifications and information



LEVEL 1: FLOORPLAN

Unit 1

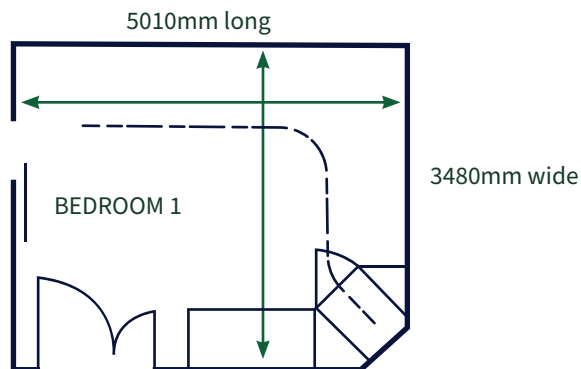
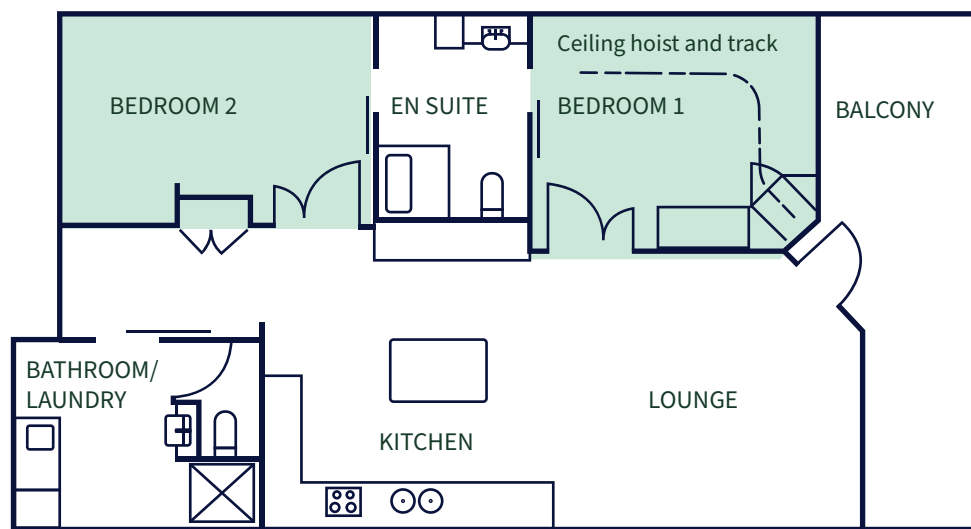
Two bedroom unit



BEDROOM 1	1x king bed or can be separated to make x2 singles. 1x bed is a Hi-Lo bed, while the other is a companion bed.
BEDROOM 2	2x single beds or can be combined to make a king bed
LOUNGE/ SOFA BED	1x 3-seater lounge (900h x 1830w x 103d)
WARDROBE	Wardrobe rail height is 850mm
BATHROOM	Toilet is left-hand transfer with no backrest

Unit 2

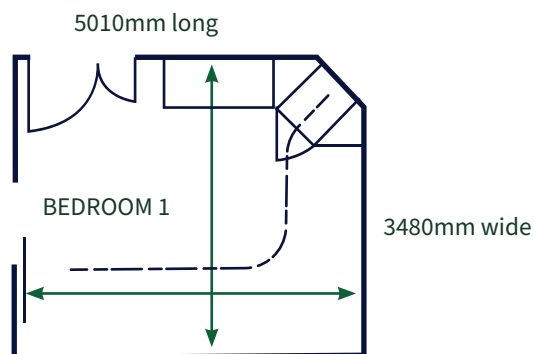
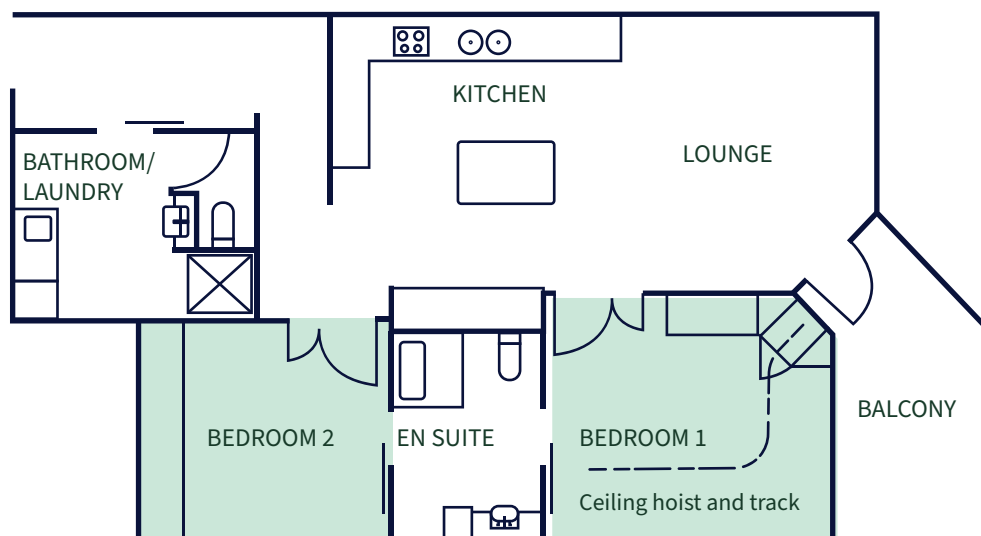
Two bedroom unit



BEDROOM 1	1x king bed or can be separated to make x2 singles. 1x bed is a Hi-Lo bed, while the other is a companion bed.
BEDROOM 2	2x single beds or can be combined to make a king bed
LOUNGE/ SOFA BED	1x 3-seater lounge (900h x 1830w x 103d)
WARDROBE	Wardrobe rail height is 850mm
BATHROOM	Toilet is right-hand transfer with backrest

Unit 3

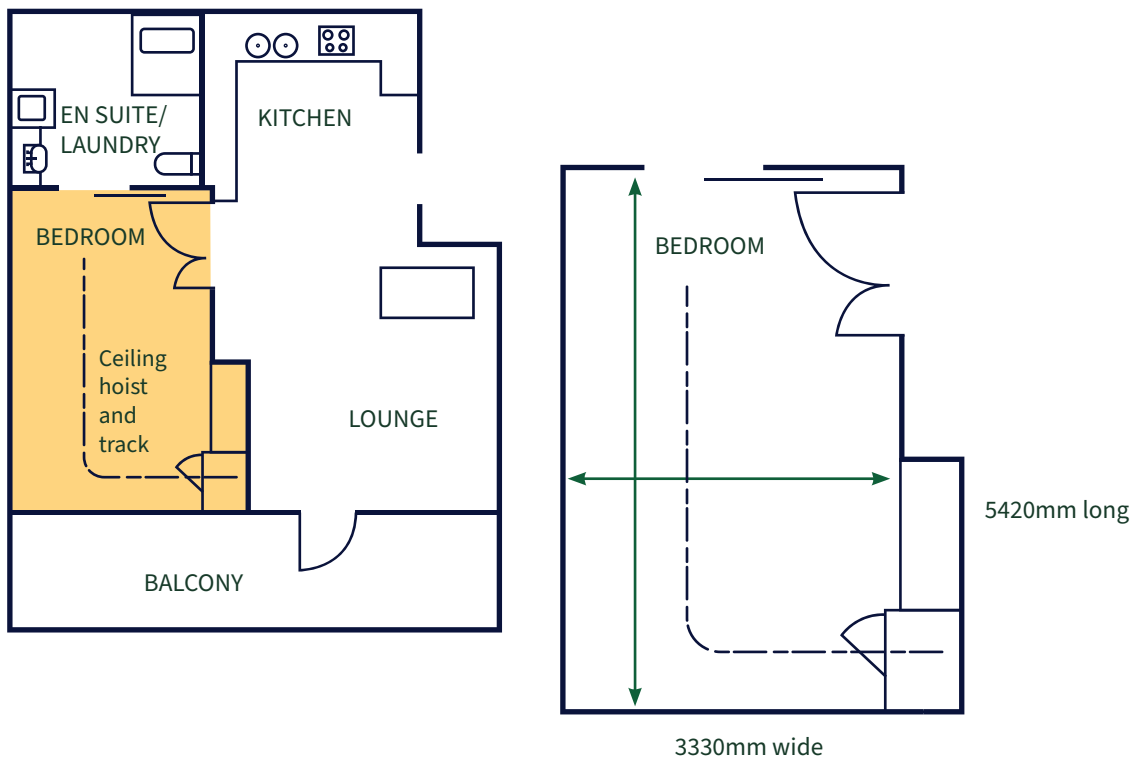
Two bedroom unit



BEDROOM 1	1x king bed or can be separated to make x2 singles. 1x bed is a Hi-Lo bed, while the other is a companion bed.
BEDROOM 2	1x queen bed
LOUNGE/ SOFA BED	1x 3-seater lounge (900h x 1830w x 103d)
WARDROBE	Wardrobe rail height is 850mm
BATHROOM	Toilet is left-hand transfer with backrest

Unit 4

One bedroom unit



BEDROOM

1x king bed or can be separated to make x2 singles.
1x bed is a Hi-Lo bed, while the other is a companion bed.

LOUNGE/ SOFA BED

1x 3-seater lounge (900h x 1830w x 103d)

WARDROBE

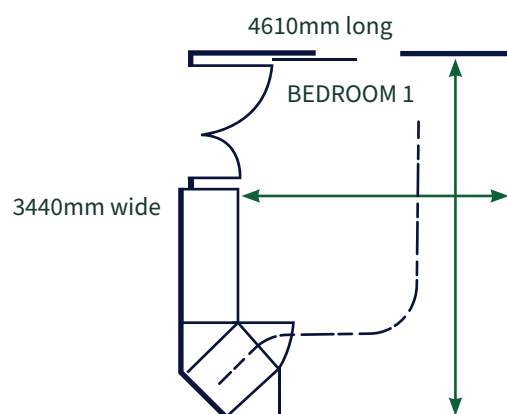
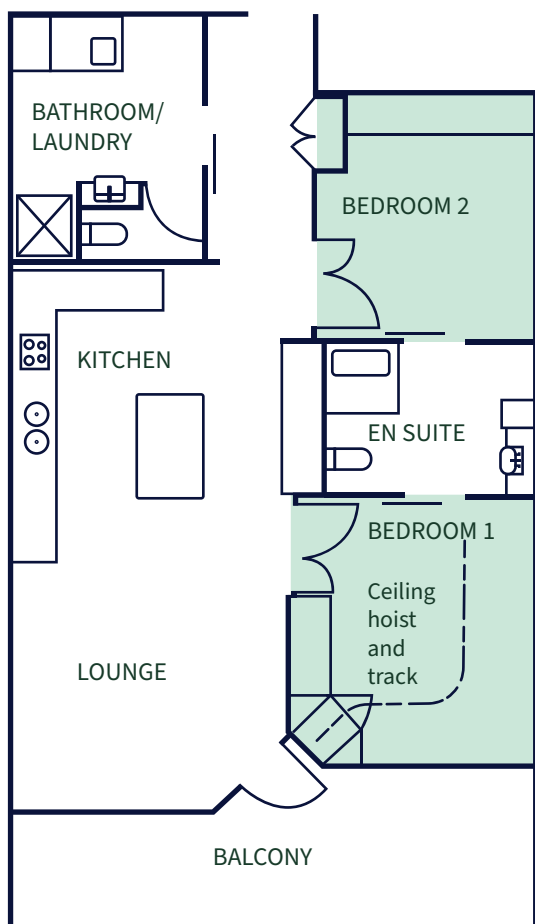
Wardrobe rail height is 850mm

BATHROOM

Toilet is left-hand transfer with no backrest

Unit 5

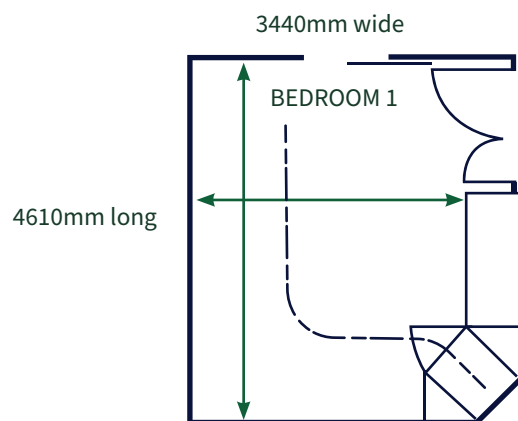
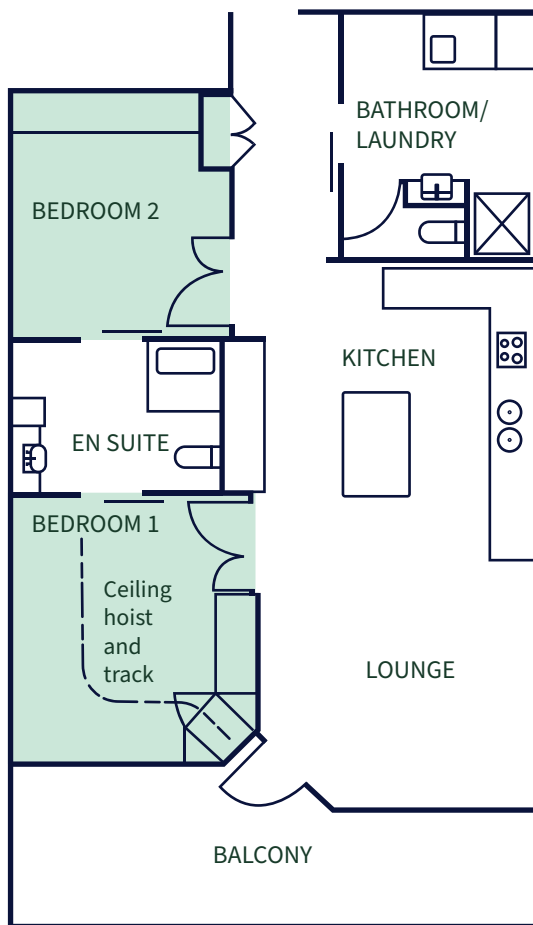
Two bedroom unit



BEDROOM 1	1x king bed or can be separated to make x2 singles. 1x bed is a Hi-Lo bed, while the other is a companion bed.
BEDROOM 2	1x queen bed
LOUNGE/ SOFA BED	1x 3-seater lounge (900h x 1830w x 103d)
WARDROBE	Wardrobe rail height is 850mm
BATHROOM	Toilet is right-hand transfer with no backrest

Unit 6

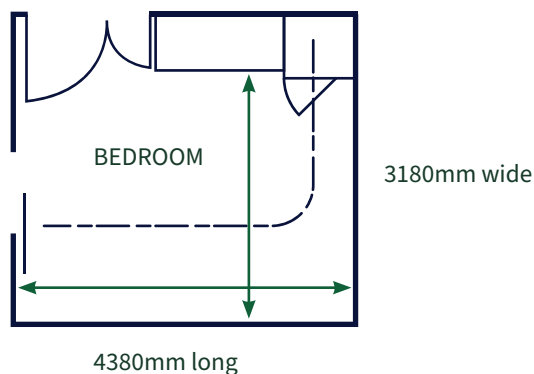
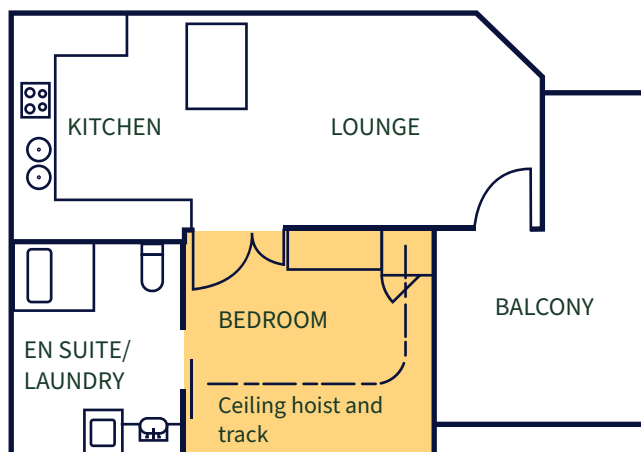
Two bedroom unit



BEDROOM 1	1x king bed or can be separated to make x2 singles. 1x bed is a Hi-Lo bed, while the other is a companion bed.
BEDROOM 2	2x single beds or can be combined to make a king bed
LOUNGE/ SOFA BED	1x 3-seater lounge (900h x 1830w x 103d)
WARDROBE	Wardrobe rail height is 850mm
BATHROOM	Toilet is right-hand transfer with no backrest

Unit 7

One bedroom unit



BEDROOM

1x king bed or can be separated to make x2 singles.
1x bed is a Hi-Lo bed, while the other is a companion bed.

LOUNGE/ SOFA BED

1x 3-seater lounge (900h x 1830w x 103d)

WARDROBE

Wardrobe rail height is 850mm

BATHROOM

Toilet is left-hand transfer with no backrest

Door clear opening space

LOCATION	DOOR CLEAR OPENING SPACE(MM)
All unit front entry doors	900
All bedroom 1 doorways	1460
All bedroom 2 doorways	1460
All ensuite doorways from Bedroom 1 and Bedroom 2	900
All 2 bedroom bathroom/ laundry doorway	900
All balcony doorways	900
Lift opening	1080

Bathroom information

TOILETS

Toilet heights are:

- › Toilet with seat down: 475mm
- › Toilet with seat up: 445mm

Note back rests only on toilets in Units: 2 & 3.

HEIGHT ADJUSTABLE ENSUITE BASIN BENCH

- › Low: 520mm (leg room); 690mm top of bench
- › High: 820mm (leg room); 990mm top of bench
- › Depth under bathroom basin: 60mm from pipe, 210mm from back of wall

SHOWER

All Bedroom 1 bathrooms have a folding accessible shower seat.

Dimensions as follows:

- *Seat protrudes 92mm from wall when in the closed position.

